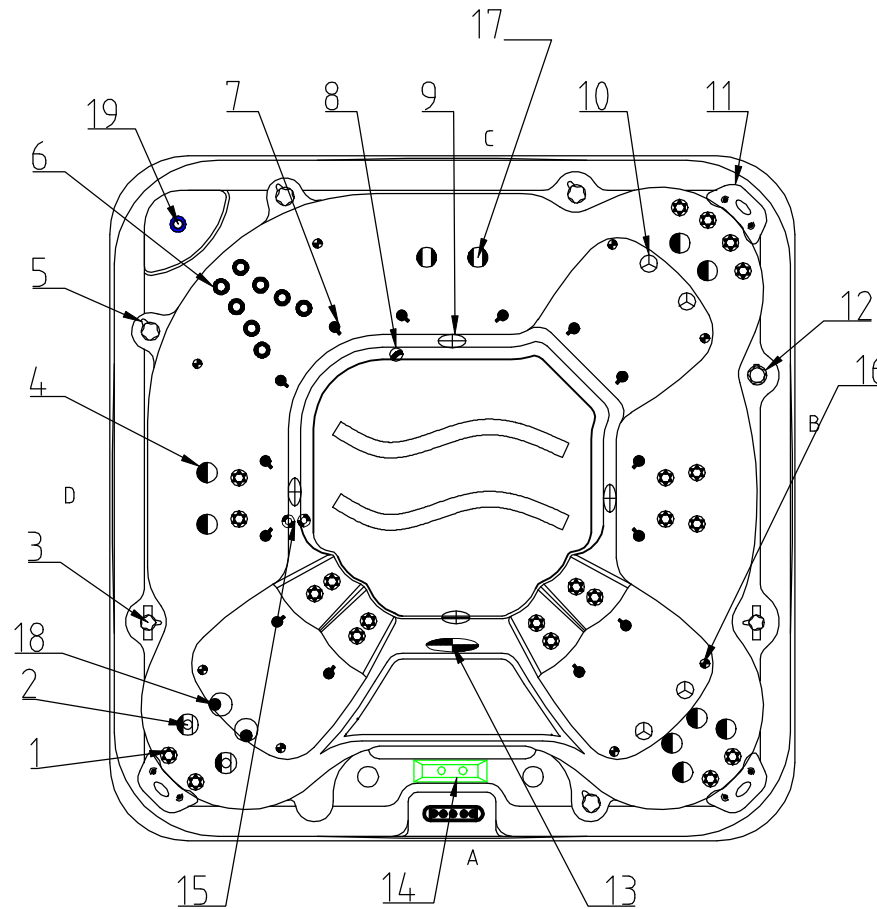
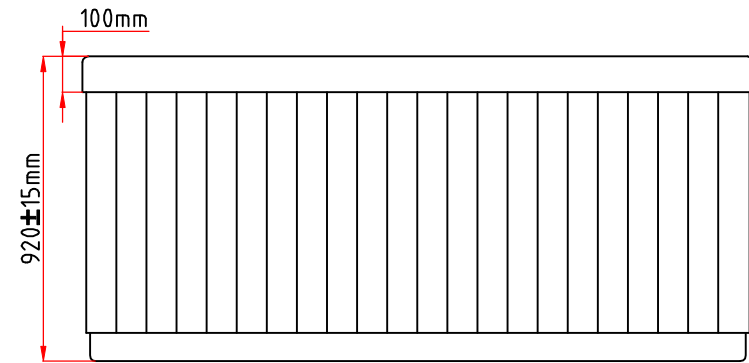
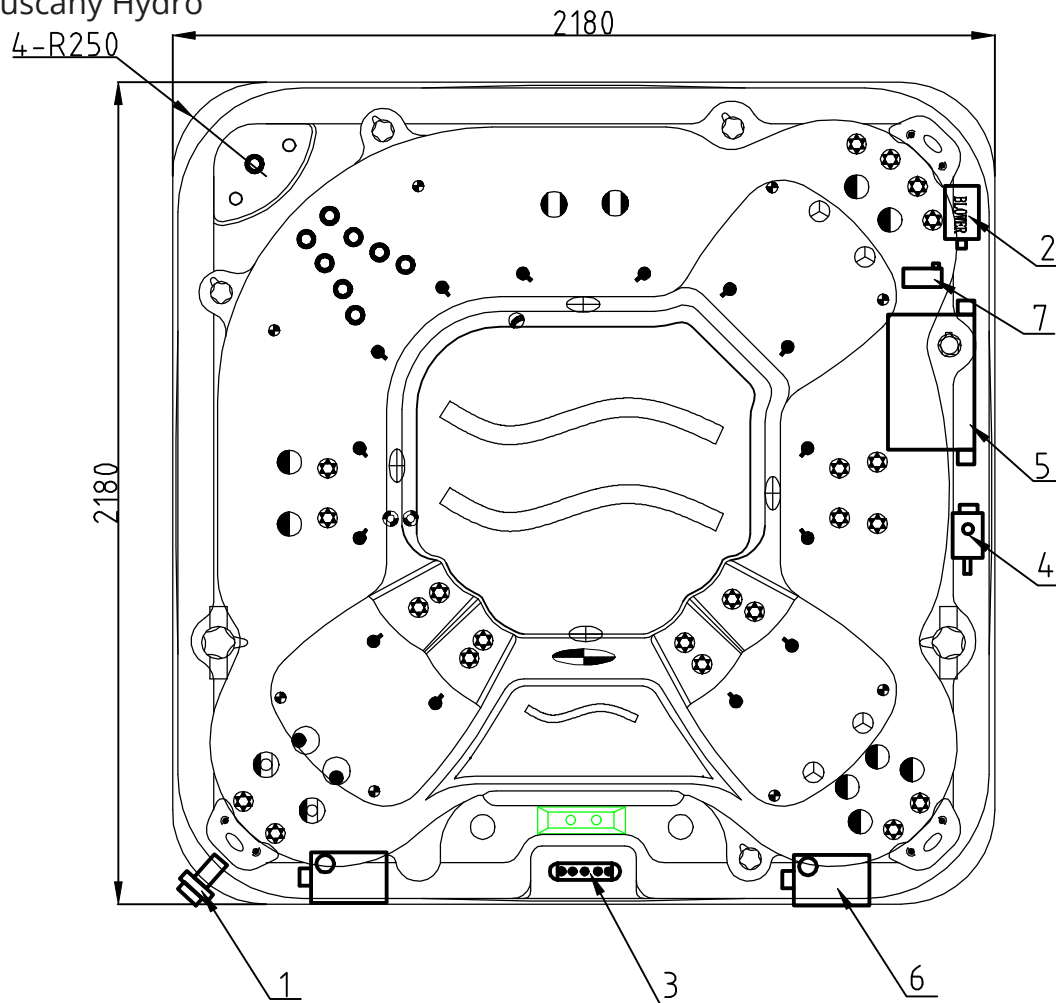


Notes: Due to manufacturing tolerances, there could be some minor differences between the actual spa and the drawing above. If site planning is critical to such tolerances, be sure to measure your actual spa. All specifications are subject to change without notice. Some components may be optional on your spa.



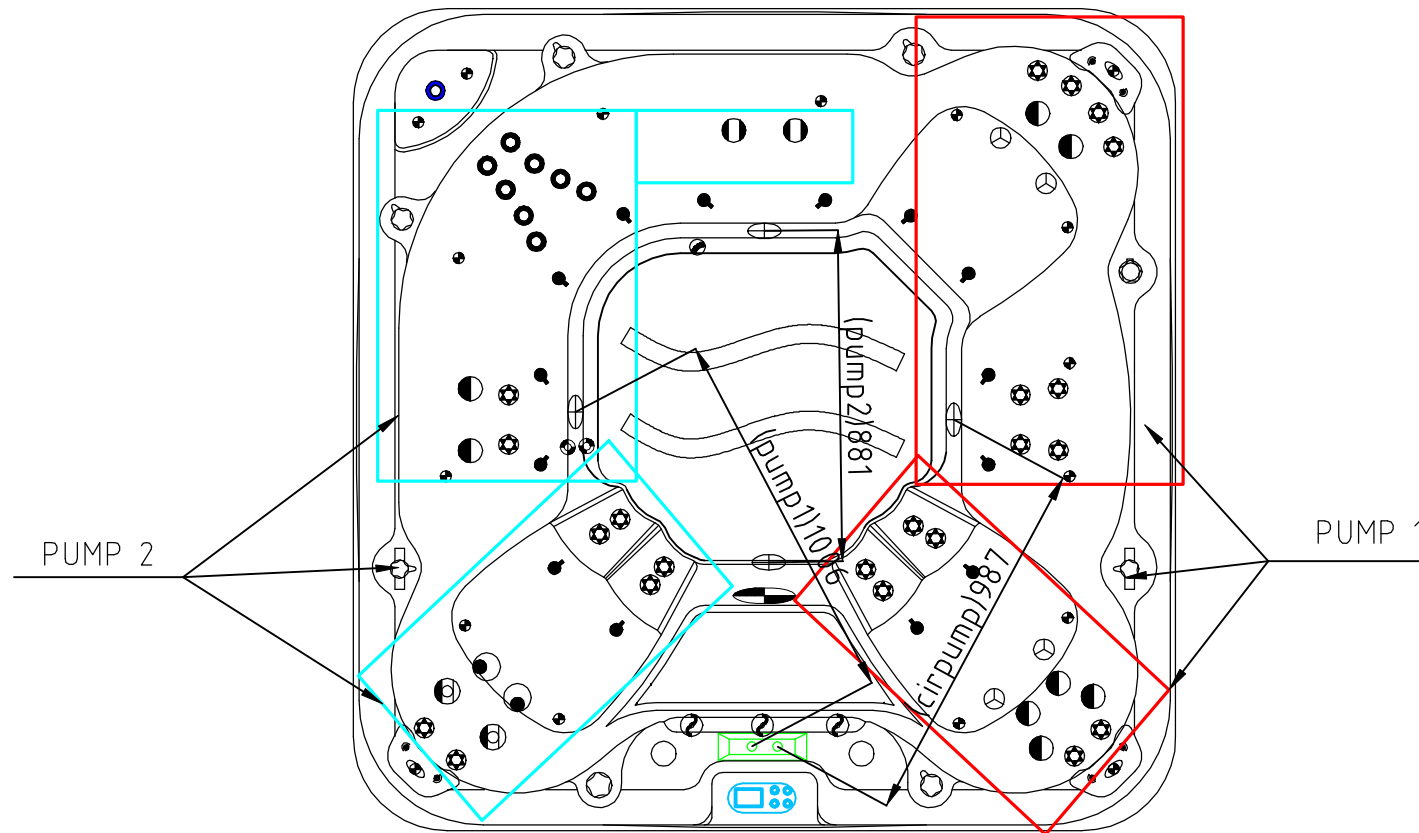
Notes: Due to manufacturing tolerances, there could be some minor differences between the actual spa and the drawing above. If site planning is critical to such tolerances, be sure to measure your actual spa. All specifications are subject to change without notice. Some components may be optional on your spa.

19		1" Jet and air injector	01.03.04.0243	1	pc	7		1" Air Injector Assembly	01.03.04.0055	14	pcs
18		4" Jet internal Single-Spin	01.03.04.0162	2	pc	6		Large 1" Jet Assembly-Pearl Grey	01.03.04.0075	8	pcs
17		Large 3" Jet internal-Twin Spin	01.03.04.0170	2	pcs	5		1" Air Check Valve Assembly	01.03.03.0659	4	pcs
16		MINI Perimeter LED light	01.03.03.0066	8	pcs	4		3" Jet internal Single-Spin	01.03.04.0160	8	pc
15		Ozone Injector	01.03.03.0129	2	pcs	3		2" Water diverter valve	01.03.03.0660	2	pcs
14		Twin Cilinder Skimmer	01.03.03.0737	1	pcs	2		5" Jet Internal-Single pulse	01.03.04.0164	2	pcs
13		5" Light housing without Holder	01.03.03.0108	1	pcs	1		2" Jet Internal-Directional	01.03.04.0158	22	pcs
12		Aromatherapy Canister-T-Body	01.03.03.0677	1	pcs						
11		Butterfly Headrest-Light Grey	01.03.03.0377	3	pcs						
10		3" Jet internal-Directional	01.03.04.0159	4	pc						
9		2" Suction (full set)-SS face	01.03.03.0248	4	pc						
8		Star-Shape SS Bottom Drain	01.03.04.0342	1	pcs						

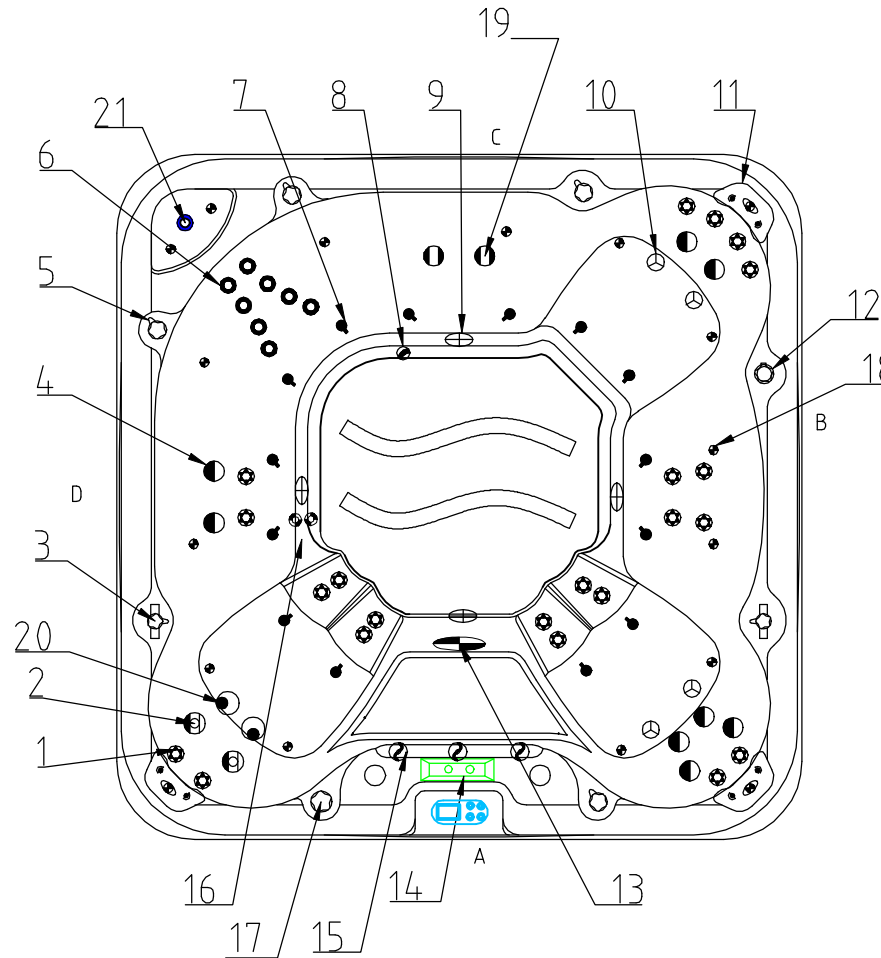


Notes: Due to manufacturing tolerances, there could be some minor differences between the actual spa and the drawing above. If site planning is critical to such tolerances, be sure to measure your actual spa. All specifications are subject to change without notice. Some components may be optional on your spa

7		CP Ozone Generator	01.03.05.0035	1	pc
6		Single Speed Pump	01.03.05.0502	2	pc
5		Control Box	01.03.05.0689	1	pc
4		CIR Pump	01.03.05.0468	1	pc
3		control Panel	01.03.05.0689	1	pc
2		Blower	01.03.05.0031	1	pc
1		External Drain	01.03.05.0450	1	pc
NO.	Icon	Description	Part#	Qty	Unit

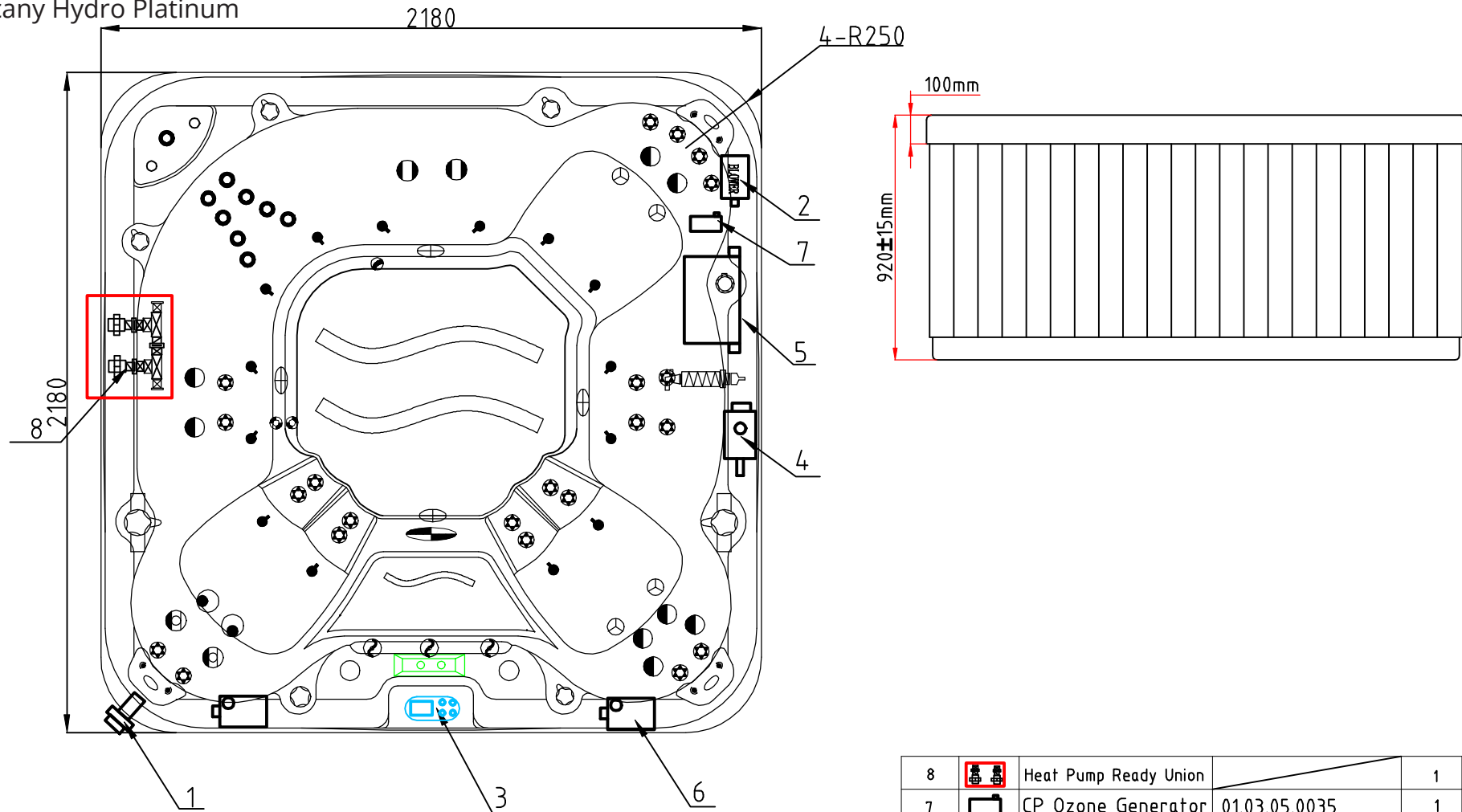


Notes: Due to manufacturing tolerances, there could be some minor differences between the actual spa and the drawing above. If site planning is critical to such tolerances, be sure to measure your actual spa. All specifications are subject to change without notice. Some components may be optional on your spa.



Notes: Due to manufacturing tolerances, there could be some minor differences between the actual spa and the drawing above. If site planning is critical to such tolerances, be sure to measure your actual spa. All specifications are subject to change without notice. Some components may be optional on your spa.

21		1" Jet and air injector	01.03.04.0243	1	pc	9		2" Suction (full set)-SS face	01.03.03.0248	4	pc
20		4" Jet internal Single-Spin	01.03.04.0162	2	pc	8		Star-Shape SS Bottom Drain	01.03.04.0342	1	pcs
19		Large 3" Jet internal-Twin Spin	01.03.04.0170	2	pcs	7		1" Air Injector Assembly	01.03.04.0055	14	pcs
18		MINI Perimeter LED light	01.03.03.0066	17	pcs	6		Large 1" Jet Assembly-Pearl Grey	01.03.04.0075	8	pcs
17		Fountain Valve	01.03.03.0658	1	pcs	5		1" Air Check Valve Assembly	01.03.03.0659	4	pcs
16		Ozone Injector	01.03.03.0129	2	pcs	4		3" Jet internal Single-Spin	01.03.04.0160	8	pc
15		Roma fountain	01.03.04.0129	3	pcs	3		2" Water diverter valve	01.03.03.0660	2	pcs
14		Twin Cilinder Skimmer	01.03.03.0737	1	pcs	2		5" Jet Internal-Single pulse	01.03.04.0164	2	pcs
13		5" Light housing without Holder	01.03.03.0108	1	pcs	1		2" Jet Internal-Directional	01.03.04.0158	22	pcs
12		Aromatherapy Canister-T-Body	01.03.03.0677	1	pcs	11		Butterfly Headrest-Light Grey	01.03.03.0377	4	pcs
11		Butterfly Headrest-Light Grey	01.03.03.0377	4	pcs	10		3" Jet internal-Directinal	01.03.04.0159	4	pc
NO	Icon.	description	Part#	Qty	Unit	NO	Icon.	description	Part#	Qty	Unit



Notes: Due to manufacturing tolerances, there could be some minor differences between the actual spa and the drawing above. If site planning is critical to such tolerances, be sure to measure your actual spa. All specifications are subject to change without notice. Some components may be optional on your spa

8		Heat Pump Ready Union		1	pc
7		CP Ozone Generator	01.03.05.0035	1	pc
6		Single Speed Pump	01.03.05.0502	2	pc
5		Control Box	01.03.05.0130	1	pc
4		CIR Pump	01.03.05.0468	1	pc
3		control panel	01.03.05.0133	1	pc
2		Blower	01.03.05.0564	1	pc
1		External Drain	01.03.05.0450	1	pc
NO.	Icon	Description	Part#	Qty	Unit