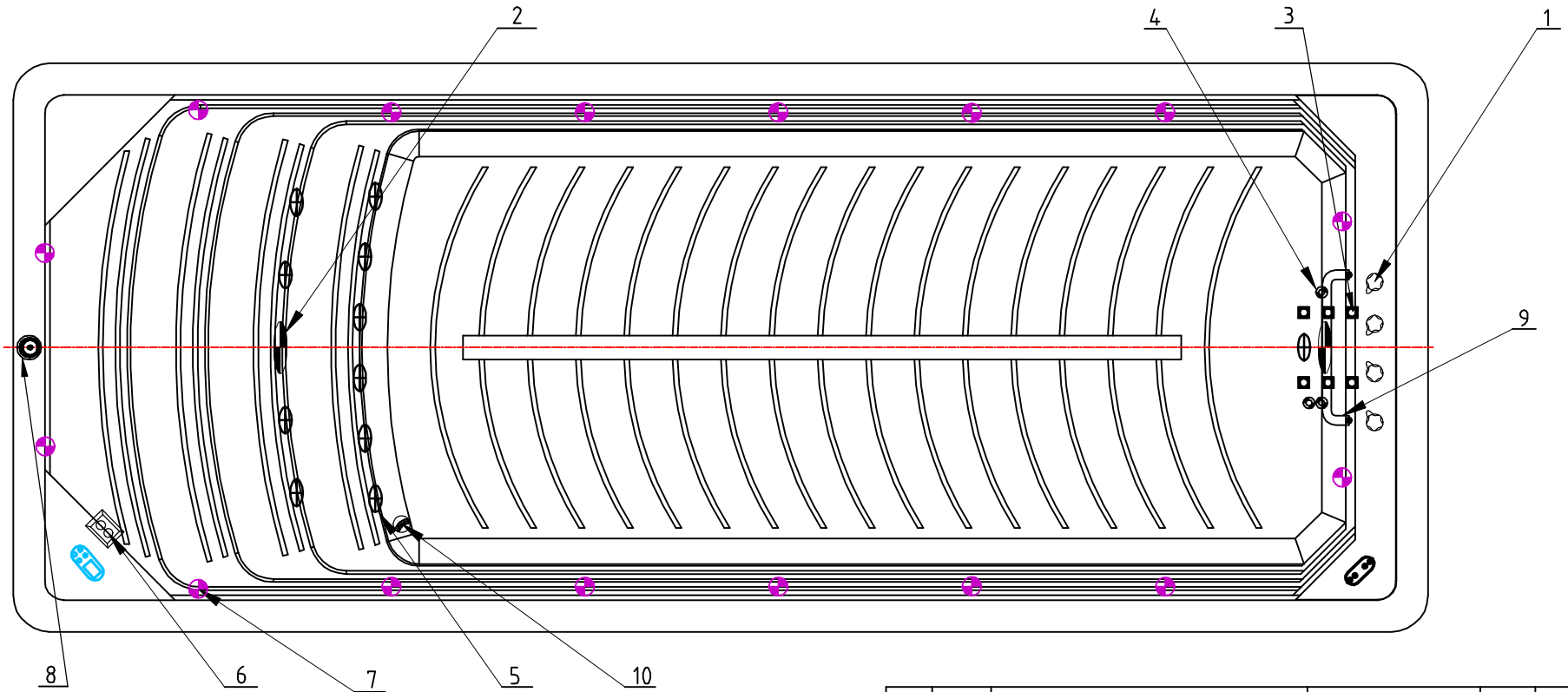
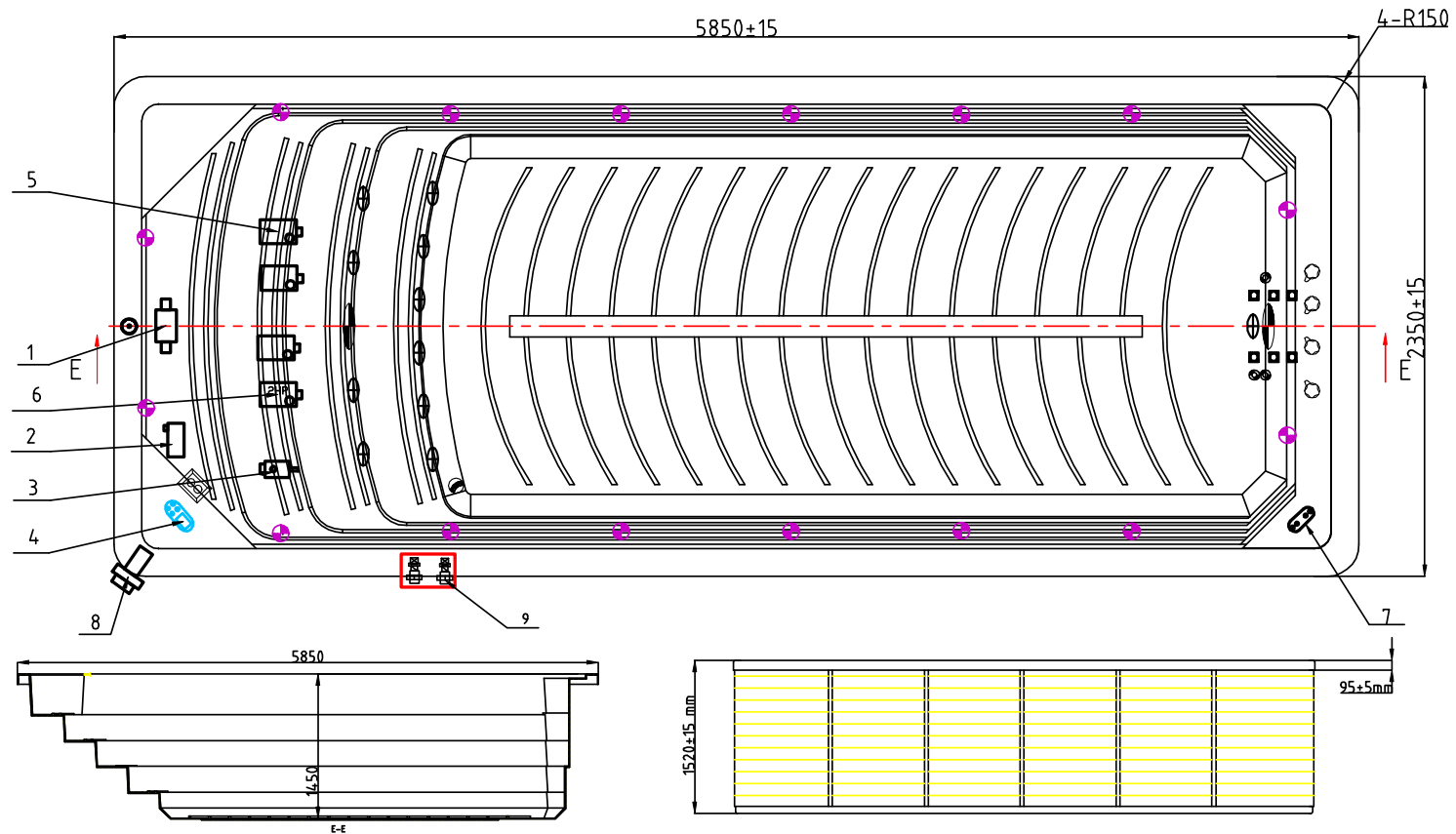


Notes: Due to manufacturing tolerances, there could be some minor differences between the actual spa and the drawing above. If site planning is critical to such tolerances, be sure to measure your actual spa.
All specifications are subject to change without notice.
Some components may be optional on your spa.



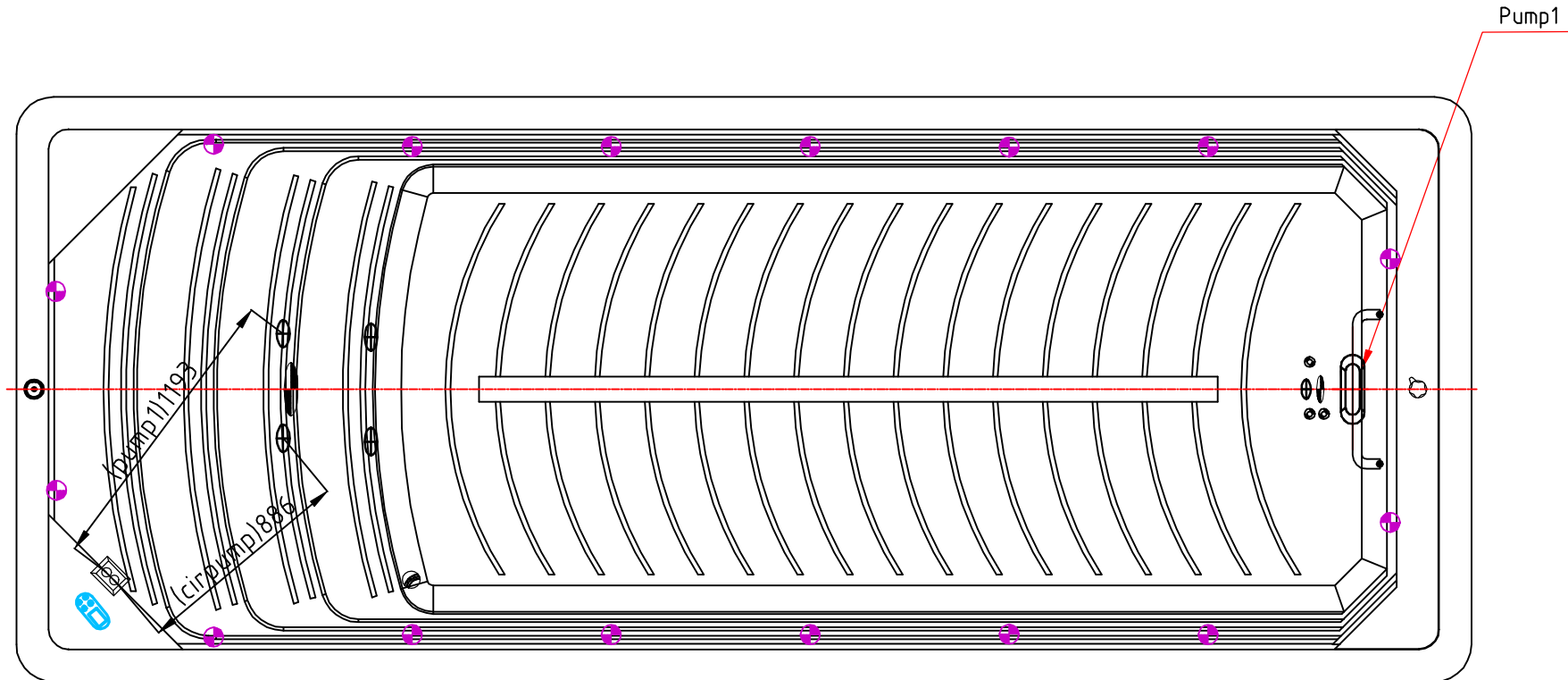
10		Stainless steel Low Drain - 3/4" Slip	01.03.04.0099	1	pc
9		Stainless steel Handrail(Ø28×600mm)	01.03.06.0054	1	pcs
8		Stainless steel swim base	01.03.06.0189	1	pcs
7		MINI-LED light cover	01.03.03.0066	16	pc
6		Twin Cilinder Skimmer	01.03.03.0737	1	pcs
5		2" Suction (full set) - SS face	01.03.03.0228	8	pcs
4		Ozone Injector - Carbon Grey	01.03.03.0129	3	pcs
3		Swim Jet with inner diameter 25mm-Force 10	01.03.04.0130	6	pc
2		5" Light housing without Holder	01.03.03.0108	2	pcs
1		1" Air Check Valve Assembly	01.03.03.0659	4	pcs
NO	ICON	DESCRIPTION	PART #	QTY	UNIT
Edition:18/7/2018			ZC.EP60.0001		

Notes Due to manufacturing tolerances, there could be some minor differences between the actual spa and the drawing above. If site planning is critical to such tolerances, be sure to measure your actual spa. All specifications are subject to change without notice. Some components may be optional on your spa.

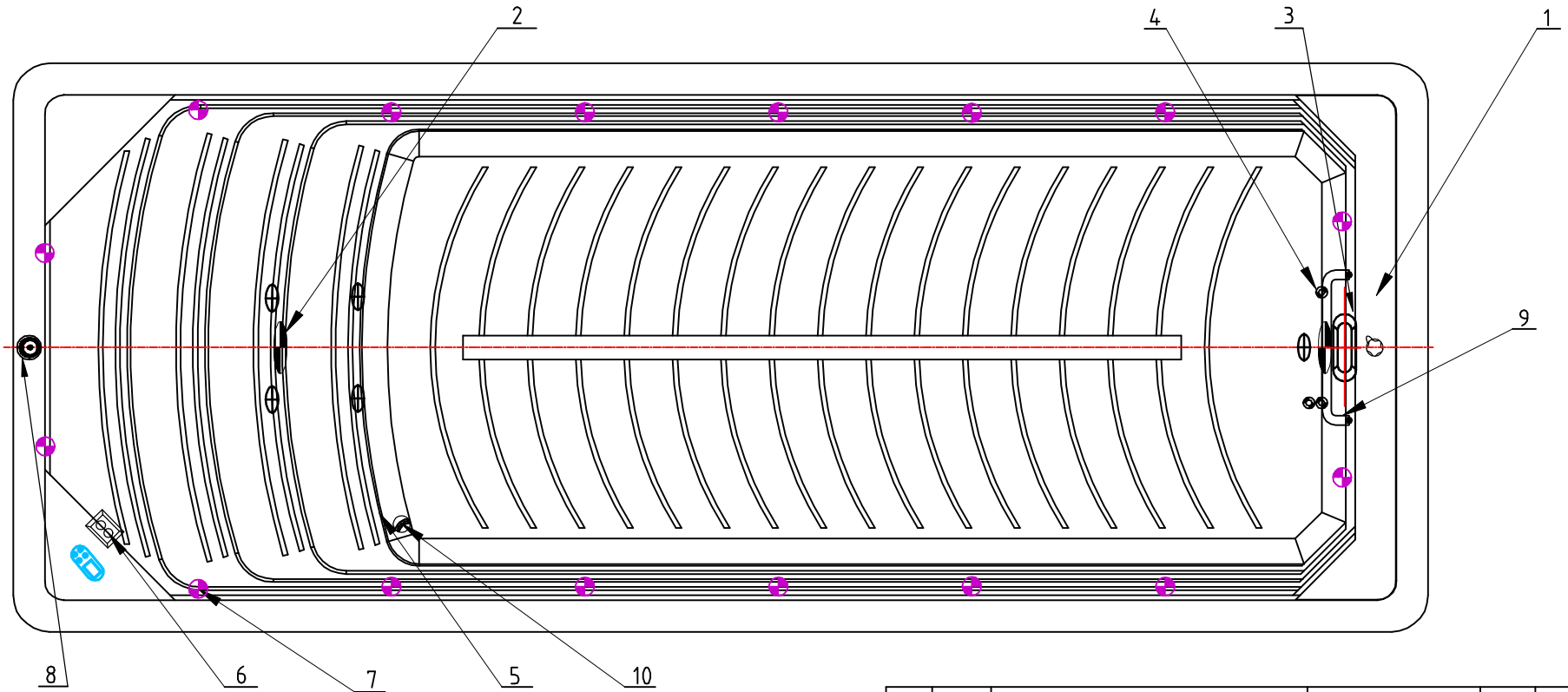


9		Heat Pump Ready Union		1	pc
8		Drain Valve	01.03.03.0450	1	pc
7		Second Panel	01.03.05.0438	1	pcs
6		2HP Single Speed PUMP	01.03.05.0562	1	pcs
5		3HP Single Speed PUMP	01.03.05.0553	3	pcs
4		Control panel	01.03.05.0439	1	pcs
3		1HP Circulation Pump	01.03.05.0469	1	pc
2		CP Ozone Generator	01.03.05.0035	1	pc
1		Control Box	01.03.05.0348	1	pcs
NO	ICON	DESCRIPTION	PART #	QTY	UNIT
Edition:16/09/2018			ZC.EP60.0001		

Notes Due to manufacturing tolerances, there could be some minor differences between the actual spa and the drawing above. If site planning is critical to such tolerances, be sure to measure your actual spa.
All specifications are subject to change without notice.
Some components may be optional on your spa.

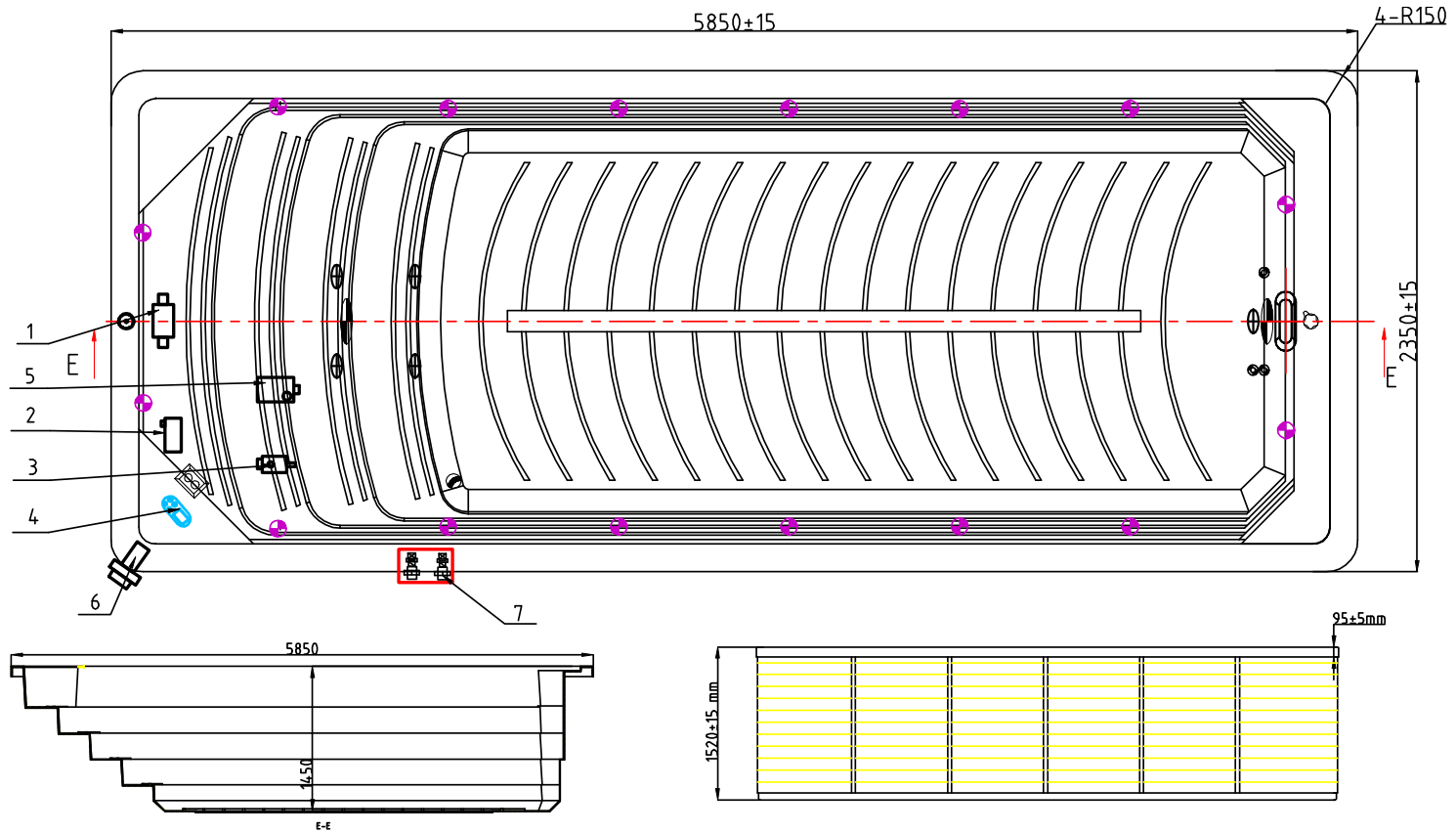


Notes: Due to manufacturing tolerances, there could be some minor differences between the actual spa and the drawing above. If site planning is critical to such tolerances, be sure to measure your actual spa. All specifications are subject to change without notice. Some components may be optional on your spa.



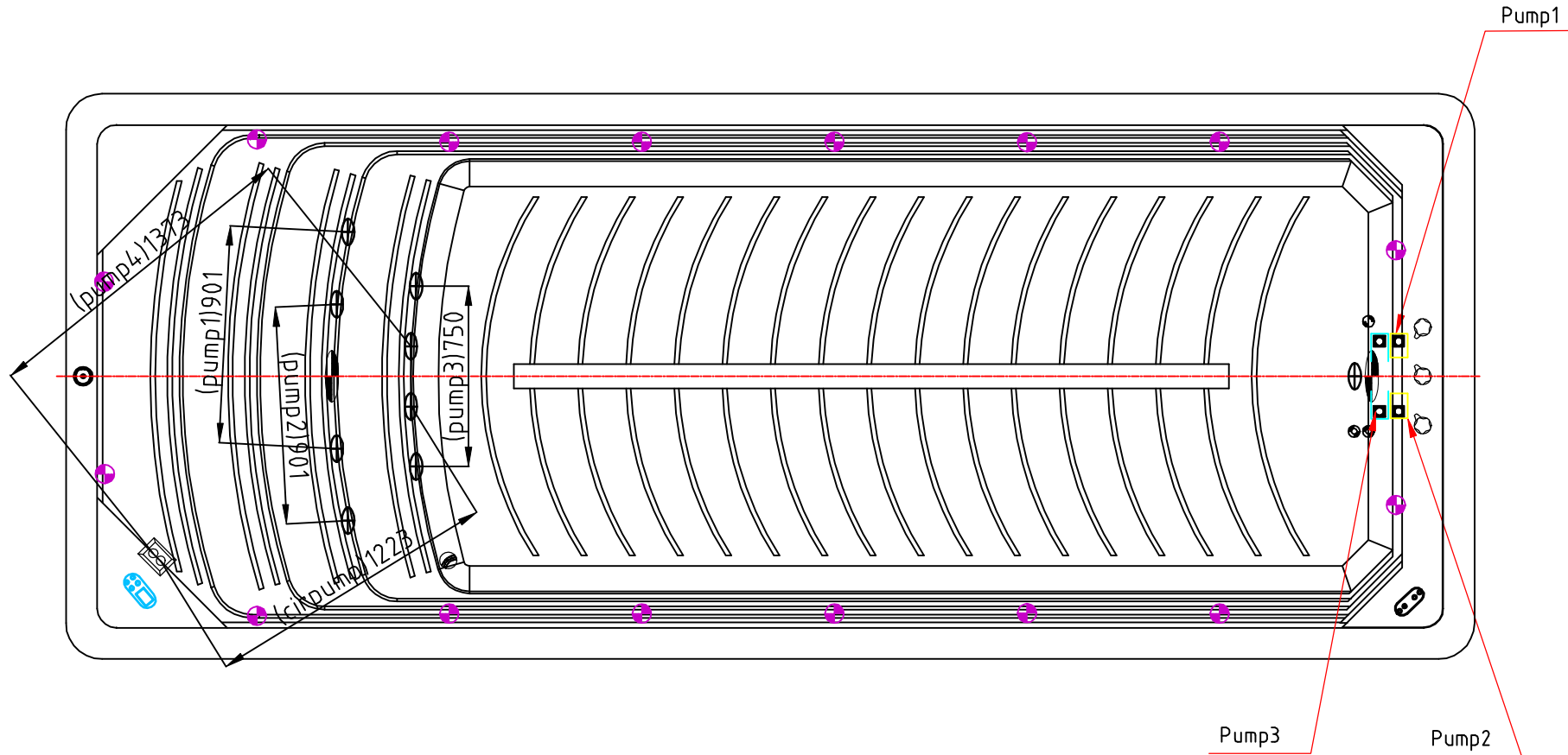
10		Stainless steel Low Drain - 3/4" Slip	01.03.04.0099	1	pc
9		Stainless steel Handrail(Ø28×600mm)	01.03.06.0054	1	pcs
8		Stainless steel swim base	01.03.06.0189	1	pcs
7		MINI-LED light cover	01.03.03.0066	16	pc
6		Twin Cylinder Skimmer	01.03.03.0737	1	pcs
5		2" Suction (full set) - SS face	01.03.03.0228	2	pcs
4		Ozone Injector - Carbon Grey	01.03.03.0129	3	pcs
3		River Stream Swim Jet	01.03.04.0106	1	pc
2		5" Light housing without Holder	01.03.03.0108	2	pcs
1		1" Air Check Valve Assembly	01.03.03.0659	1	pcs
NO	ICON	DESCRIPTION	PART #	QTY	UNIT
Edition:6/9/2018			ZC.EP60.0006		

Notes Due to manufacturing tolerances, there could be some minor differences between the actual spa and the drawing above. If site planning is critical to such tolerances, be sure to measure your actual spa. All specifications are subject to change without notice. Some components may be optional on your spa.

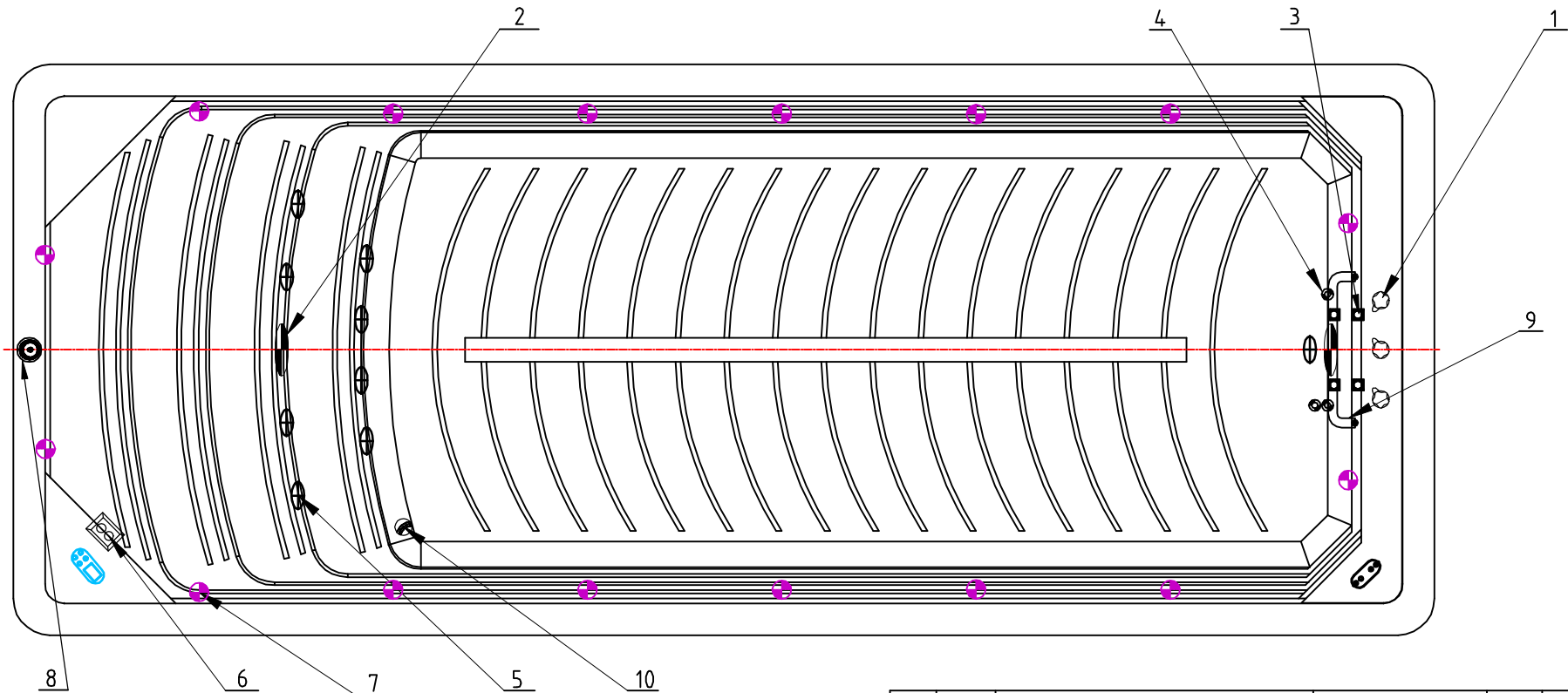











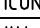
7		Heat Pump Ready Union		1	pc
6		Drain Valve	01.03.03.0450	1	pc
5		2HP Single Speed PUMP	01.03.05.0562	1	pcs
4		Control panel	01.03.05.0128	1	pcs
3		1HP Circulation Pump	01.03.05.0469	1	pc
2		CP Ozone Generator	01.03.05.0035	1	pc
1		Control Box	01.03.05.0437	1	pcs
NO	ICON	DESCRIPTION	PART #	QTY	UNIT
Edition:6/9/2018			ZC.EP60.0006		

Notes: Due to manufacturing tolerances, there could be some minor differences between the actual spa and the drawing above. If site planning is critical to such tolerances, be sure to measure your actual spa.
All specifications are subject to change without notice.
Some components may be optional on your spa.



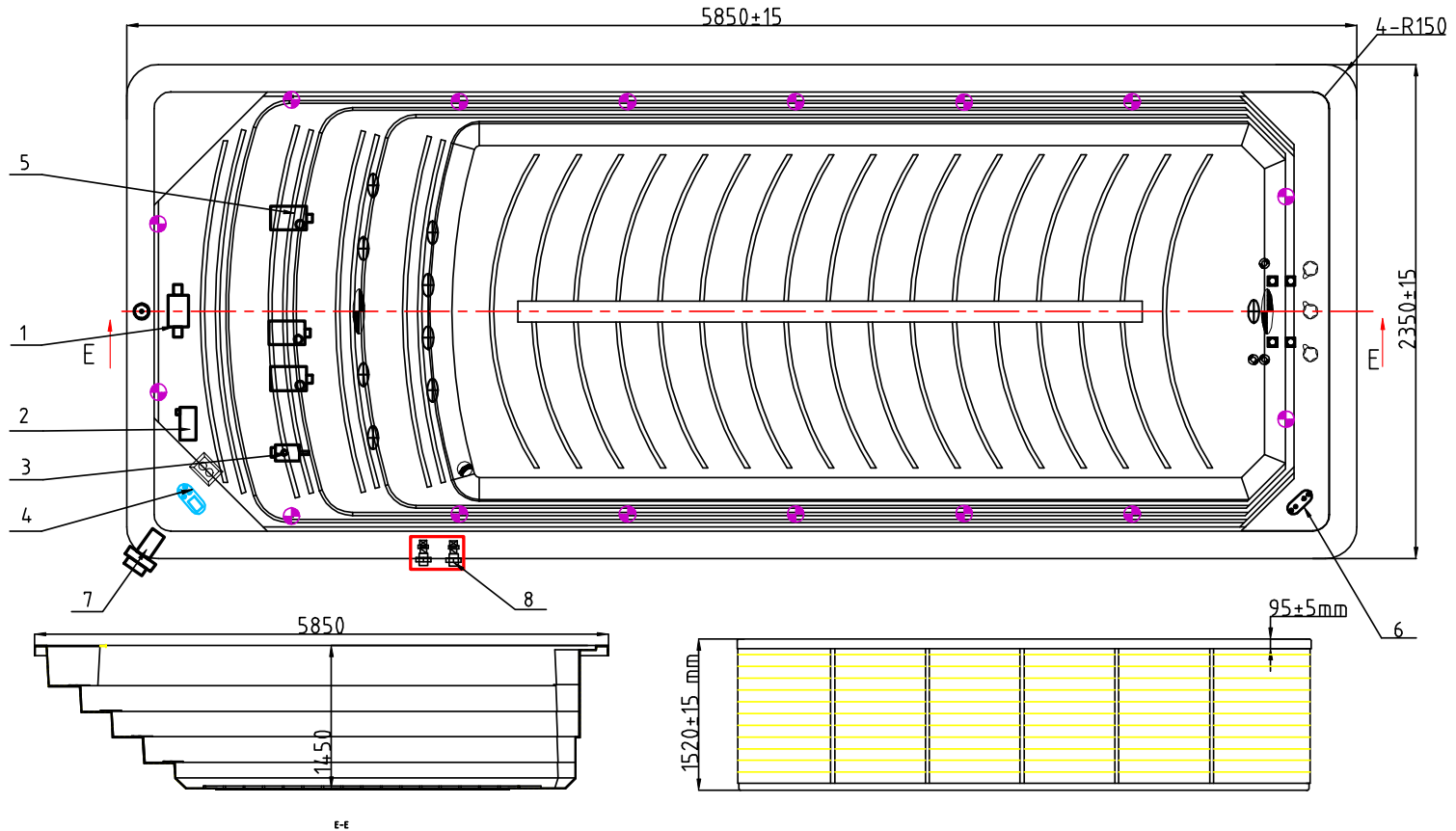
Notes: Due to manufacturing tolerances, there could be some minor differences between the actual spa and the drawing above. If site planning is critical to such tolerances, be sure to measure your actual spa. All specifications are subject to change without notice. Some components may be optional on your spa.



10		Stainless steel Low Drain - 3/4" Slip	01.03.04.0099	1	pc
9		Stainless steel Handrail(Ø28×600mm)	01.03.06.0054	1	pcs
8		Stainless steel swim base	01.03.06.0189	1	pcs
7		MINI-LED light cover	01.03.03.0066	16	pc
6		Twin Cilinder Skimmer	01.03.03.0737	1	pcs
5		2" Suction (full set) - SS face	01.03.03.0228	6	pcs
4		Ozone Injector - Carbon Grey	01.03.03.0129	3	pcs
3		Swim Jet with inner diameter 25mm-Force 10	01.03.04.0130	4	pc
2		5" Light housing without Holder	01.03.03.0108	2	pcs
1		1" Air Check Valve Assembly	01.03.03.0659	3	pcs
NO	ICON	DESCRIPTION	PART #	QTY	UNIT

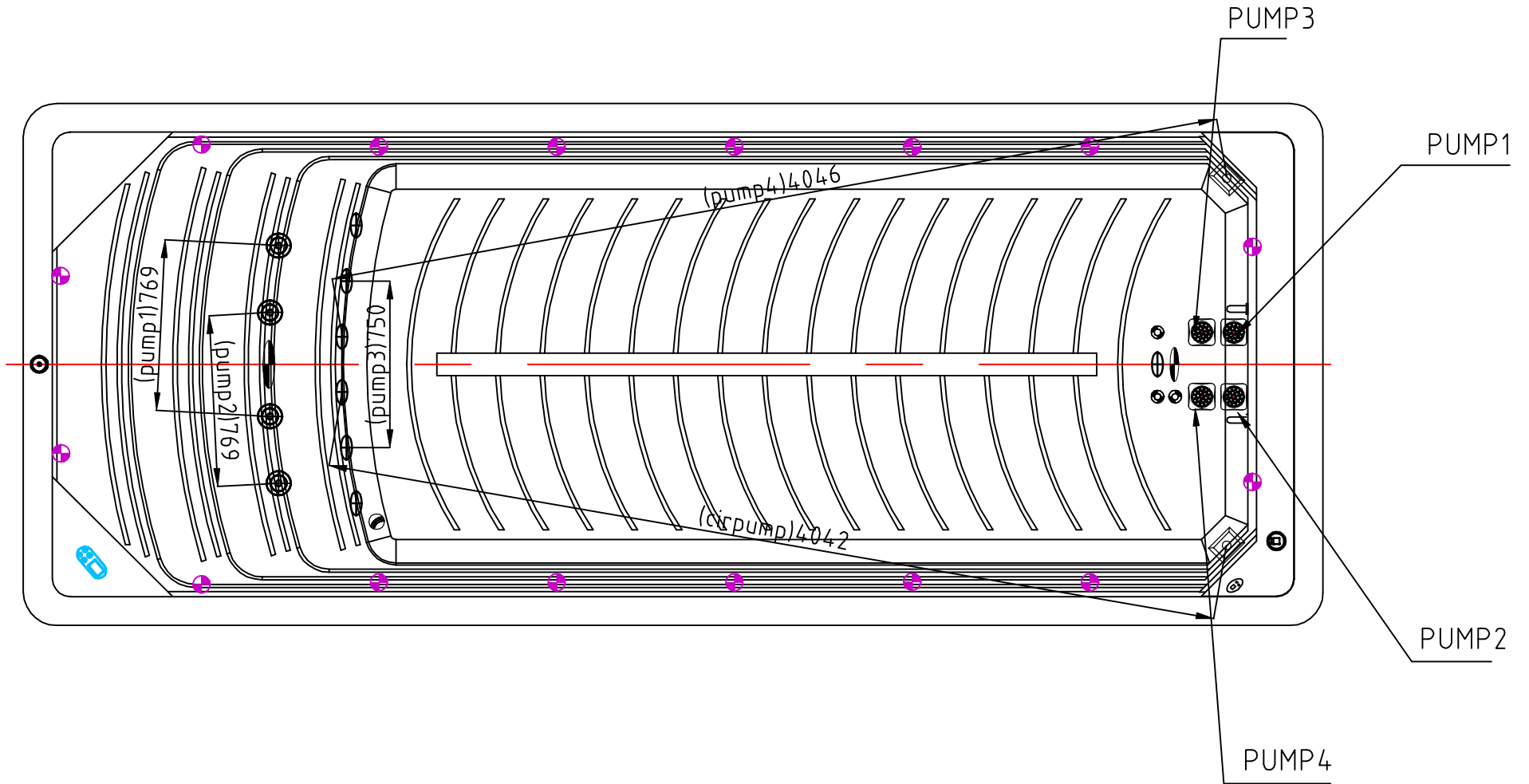
Notes Due to manufacturing tolerances, there could be some minor differences between the actual spa and the drawing above. If site planning is critical to such tolerances, be sure to measure your actual spa. All specifications are subject to change without notice. Some components may be optional on your spa.

EP 6.0 Pro

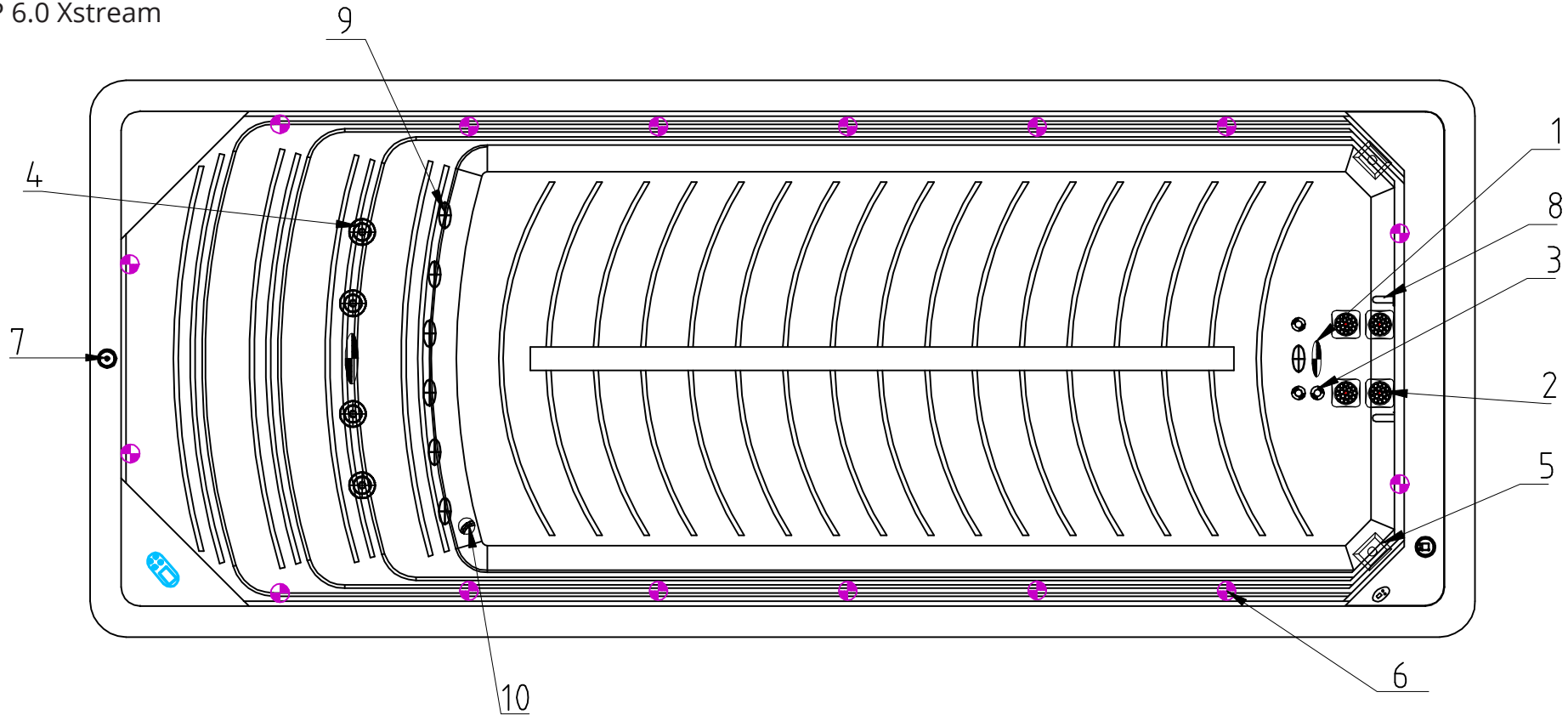


8		Heat Pump Ready Union		1	pc
7		Drain Valve	01.03.03.0450	1	pc
6		Second Panel	01.03.05.0438	1	pcs
5		3HP Single Speed PUMP	01.03.05.0553	3	pcs
4		Control panel	01.03.05.0439	1	pcs
3		1HP Circulation Pump	01.03.05.0469	1	pc
2		CP Ozone Generator	01.03.05.0035	1	pc
1		Control Box	01.03.05.0348	1	pcs
NO	ICON	DESCRIPTION	PART #	QTY	UNIT
Edition:18/7/2018			ZC.EP60.0002		

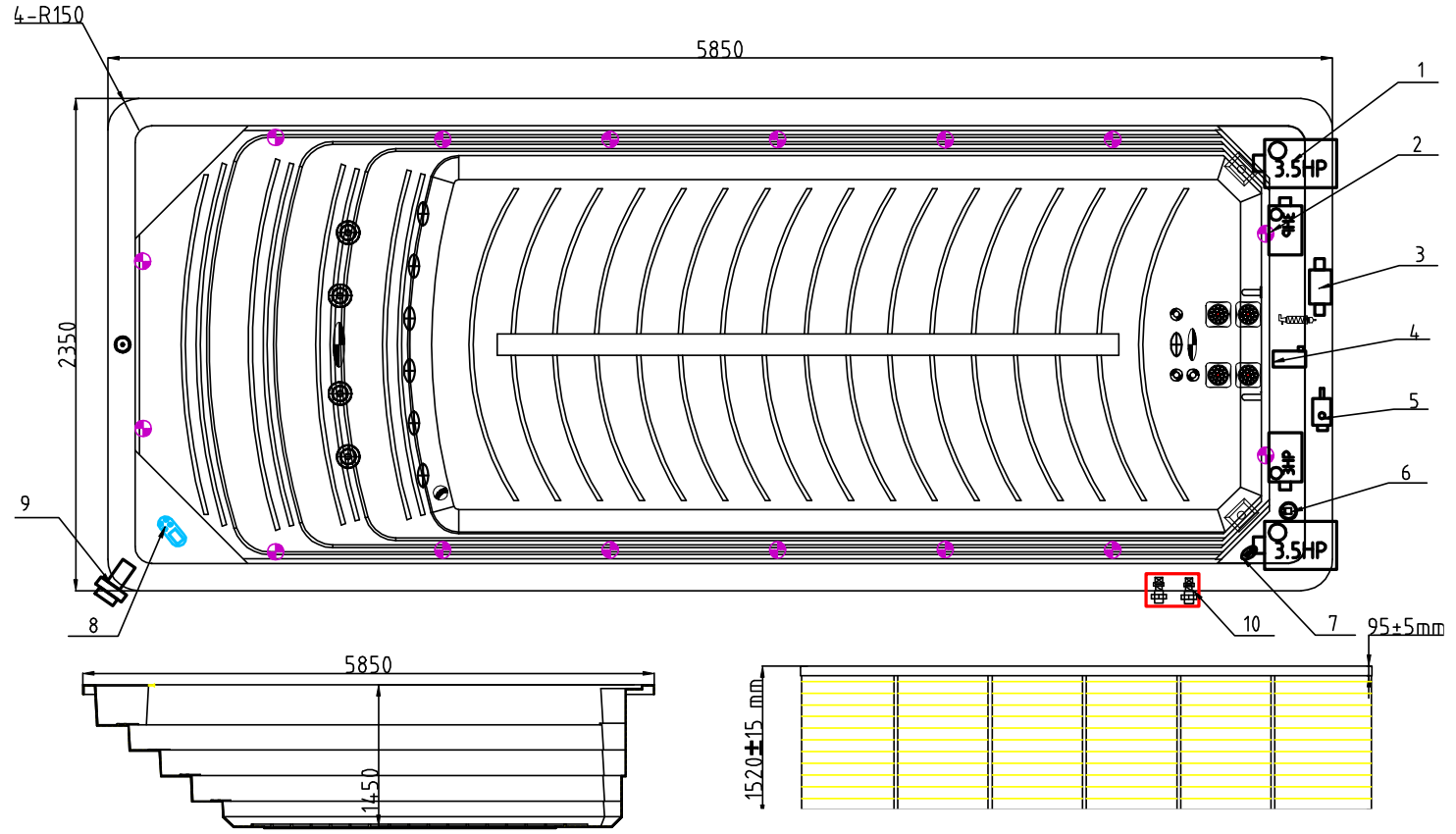
Notes Due to manufacturing tolerances, there could be some minor differences between the actual spa and the drawing above. If site planning is critical to such tolerances, be sure to measure your actual spa.
All specifications are subject to change without notice.
Some components may be optional on your spa.



Notes Due to manufacturing tolerances, there could be some minor differences between the actual spa and the drawing above. If site planning is critical to such tolerances, be sure to measure your actual spa. All specifications are subject to change without notice. Some components may be optional on your spa.



10		Stainless steel Low Drain - 3/4" Slip	01.03.04.0099	1	pc
9		2" Suction (full set) - SS face	01.03.03.0228	4	pcs
8		Stainless steel Handrail(φ25x180mm)	01.03.06.0374	1	pcs
7		Stainless steel swim base	01.03.06.0189	1	pcs
6		MINI-LED light cover	01.03.03.0066	16	pc
5		Single Cilinder Skimmer	01.03.03.0272	2	pcs
4		3" Suction (full set)	01.03.03.0472	4	pcs
3		Ozone Injector - Carbon Grey	01.03.03.0129	3	pcs
2		Swim Jet	01.03.04.0177	4	pc
1		5" Light housing without Holder	01.03.03.0108	2	pcs
NO	ICON	DESCRIPTION	PART #	QTY	UNIT



10		Heat Pump Ready Union		1	pc
9		Drain Valve	01.03.03.0450	1	pc
8		Control panel	01.03.05.0439	1	pc
7		Second Panel	01.03.05.0438	1	pcs
6		Frequency conversion panel	01.03.05.0463	1	pcs
5		1HP Circulation Pump	01.03.05.0469	1	pcs
4		CP Ozone Generator	01.03.05.0035	1	pcs
3		Control Box	01.03.05.0348	1	pc
2		3HP Single Speed PUMP	01.03.05.0553	2	pc
1		3.5HP Single Speed PUMP	01.03.05.0376	2	pcs
NO	ICON	DESCRIPTION	PART #	QTY	UNIT
Edition:18/7/2018			ZC.EP60.0004		

Notes Due to manufacturing tolerances, there could be some minor differences between the actual spa and the drawing above. If site planning is critical to such tolerances, be sure to measure your actual spa.
All specifications are subject to change without notice.
Some components may be optional on your spa.